

Modifications Notices

Low Signal Relays

Issue Date
Dec. 21st, 2018

No. 2019021AE(ON)

Modification Notice of changing in appearance of G3VM MOS FET relay due to introduction of new production line.

[Effective Date]

Effective as of our production in May, 2019.

[Applicable Model]

G3VM Series

< Refer to the " [Details of applicable model] " . >

[Reason for change]

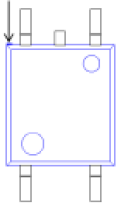


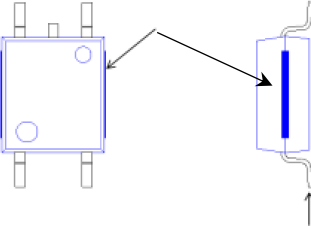

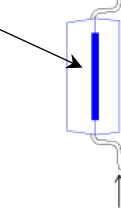
To improve production capacity.

[Change of products specification]

Unnecessary

[Changes]



Before the change (Basic Production line products)	After the change (New Production line products)
<p>1. Change gate position of molding die</p> <p>Near the 4 pin terminal</p>  <p>2. Terminal tip plating</p>  <p>No plating on cross section</p> 	<p>1. Change gate position of molding die</p> <p>Side of package</p>  <p>2. Terminal tip plating</p>  <p>Plating on cross section</p> 

[Details of applicable model]

Models
G3VM-201G1
G3VM-201G1(TR)
G3VM-401G
G3VM-401G(TR)
G3VM-41GR5
G3VM-41GR5(TR)
G3VM-41GR8
G3VM-41GR8(TR)
G3VM-61G2
G3VM-61G2(TR)
G3VM-S5
G3VM-S5(TR)

Specifications in this product news are as of the issue date and are subject to change without notice.
Only main changes in specifications are described in this document. Please be sure to read the relevant catalogs, datasheets, product specifications, instructions, and manuals for precautions and necessary information when using products.